

Building the "Two by Three" Worm Bin

These plans, provided by Washington State University's Cooperative Extension Service Master Composter/Recycler program, are for a very common size bin, built from a single 4' x 8' sheet of plywood.

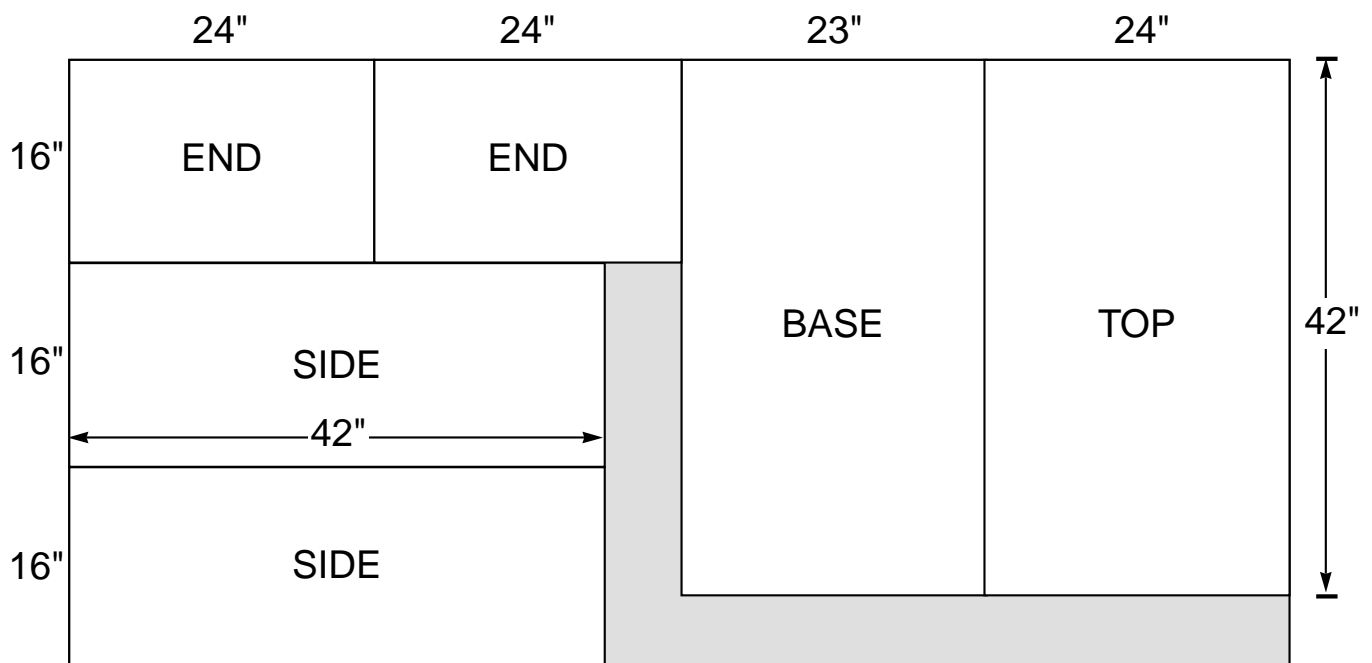
Its seven square feet of surface area will house roughly seven pounds of redworms. Of course, the density of worms in a bin depends on what and how often the worms are fed, the food particle size, temperature and other factors.

TOOLS:

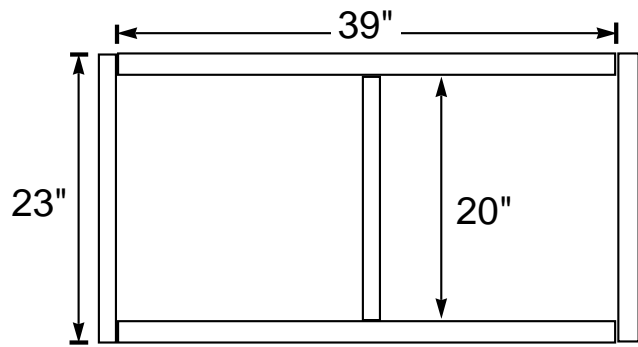
Tape measure, skill saw or rip hand saw, hammer, saw horses, long straightedge or chalk snap line, screwdriver and drill with a 1/2" bit. Use eye and ear protection.

CONSTRUCTION DETAILS:

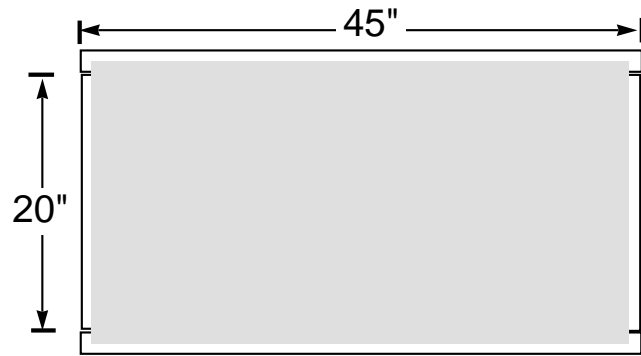
- Measure and cut plywood as indicated in drawing above. Cut the twelve foot 2 x 4 into five lengths: two 39" long, two 23" and one 20". Nail the 2 x 4s together on edge with two 16d nails at each joint as illustrated in the base frame diagram above. Nail the plywood base piece onto the 2 x 4 frame.
- Cut four 1-foot lengths out of the 16-foot 2 x 4. Take each plywood side piece and place a one-foot 2 x 4 under each of its ends so that the 2 x 4 is flush with the top and side edges of the plywood, and nail the boards into place. Nail the side pieces onto the base frame. To complete the box, nail the ends onto the base and sides. To reinforce the box, make sure there is a nail staggered at least every three inches wherever plywood and 2 x 4s meet. Drill twelve 1/2-inch holes through the bottom of the box for drainage.
- To build the lid, take the remaining twelve-foot 2 x 4 and cut it into two 45" lengths and two 20" lengths and lay them flat, short pieces on the inside as indicated in the diagram above, so that the plywood top is inset from the edges of the 2 x 4 by one inch all the way around the perimeter. Nail the plywood onto the 2 x 4s securely. Place the hinges on the backside of the box at both ends on the 2 x 4, and on the underside of the 2 x 4 lid frame so that the lid will stand upright when opened.



4 x 8 sheet of 1/2" plywood



Base frame 2 x 4s on edge



Top lid 2 x 4 frame with plywood cover